

GATOR JOIST

STRONG BACK INSTALLATION GUIDE

- Failure to follow good installation procedures could result in unsatisfactory performance of **Gator Joist**.
- 2"x6" strong backs are required to be installed for every 10' of span of **Gator Joist**.
- Strong backs should be installed using the following method:
- Attach 2"x6" into marked strong back locations which are tagged on **Gator Joist** where required, using 3 each 16d nails.
- **Gator Joist**, being an open web product, has a strong back bracing tag which is plated to the joist where strong backs are required. The installation of continuous strong backs into a **Gator Joist** engineered floor system is an easy and cost effective way to enable a superior floor system, minimizing annoying vibrations.

GENERAL NOTES

- 1.ALWAYS READ PRODUCT BROCHURE BEFORE INSTALLATION OF GATOR JOIST PRODUCTS.
- 2.THIS DOCUMENT IS INTENDED SOLELY AS AN INSTALLATION GUIDE. IT IS TO BE REVIEWED BY THE ENGINEER OF RECORD AND MUST MEET HIS/HER APPROVAL PRIOR TO INSTALLATION OF GATOR JOIST PRODUCTS.
- 3.LAYOUT, QUANTITY, AND LENGTH TO BE VERIFIED BY CONTRACTOR.
- 4.SUPERINTENDANT IS RESPONSIBLE TO SEE THAT JOIST & LVL LOCATIONS DO NOT INTERFERE WITH PLUMBING OR MECHANICAL EQUIPMENT.
- 5.JOISTS ARE DESIGNED FOR FLOOR LOAD ONLY. ALL ROOF & CEILING LOADS ARE TO BEAR DIRECTLY ON LOAD BEARING WALLS.



TRIMMABLE OPEN WEB FLOOR JOIST

GATOR JOIST



TRIMMABLE OPEN WEB FLOOR JOIST

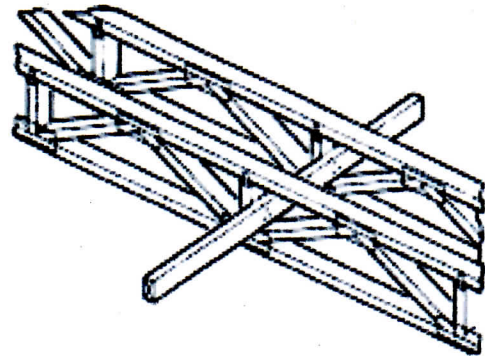
GATORJOIST.COM

1-800-526-0262

STRONG BACK BRACING 10' O.C. (2"X6" OR DOUBLE 2"X4") IS REQUIRED IN ACCORDANCE WITH ANSI-TPI 2002, SECTION 3.2.4. THE USE OF STRONG BACK BRACING WILL MINIMIZE VIBRATION AND OVERALL DEFLECTION IN AN OPEN WEB FLOOR SYSTEM.

LATERAL BRACING

2X6 "Strongback" lateral supports should be located on edge spaced no further than 10 feet along the floor truss. They should be securely fastened to vertical webs. Blocking behind the vertical web is recommended while nailing the strongback. The strongbacks should either be secured to adjacent partition walls or alternate "X"-bridging should be used to terminate the bracing member.



This tag is attached to **Gator Joist** vertical webs to aid in determining where bracing is needed.

STRONGBACKING RECOMMENDED

SEE TRUSS DESIGN DRAWING FOR
SPECIFIC INFORMATION

2x6 STRONGBACK
AT 10' o.c.
2x6 ESPALDA
FUERTE EN 10' o.c.

**CABALLETE
DE "STRONGBACKING"
RECOMENDADA**



VEA DIBUJO DE DISEÑO DE TRUSS
PARA INFORMACIÓN ESPECIFICA



THIS AND OTHER
USEFUL
INSTALLATION
INFORMATION CAN
BE FOUND AT
GATORJOIST.COM,
SEE THE
"INSTALLATION
GUIDE" TAB
OR ASK YOUR
GATOR JOIST
SUPPLIER
FOR A PRINTED
COPY.